

## Model No. : STB48V2



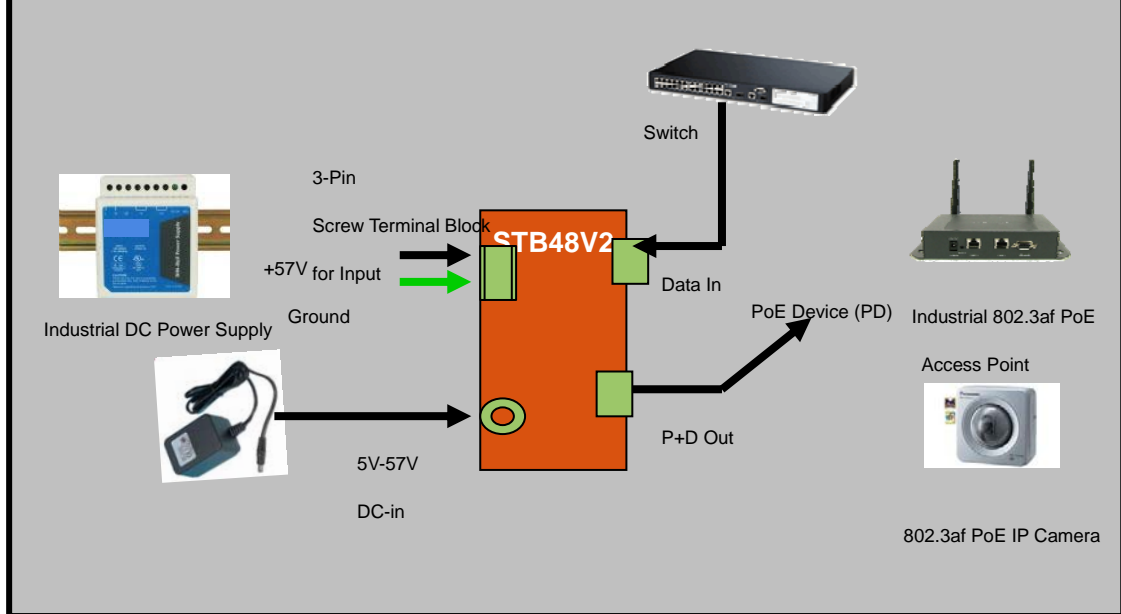
The STB48V2 Power over Ethernet (PoE) Passive Injector delivers both data and electrical power to PoE-enable devices using a single Ethernet cable. Using Power over Ethernet you eliminate the need to place an Ethernet device, such as a wireless access point or IP Camera, near a power outlet, giving you more freedom in placement.

The STB48V2 is simple to install, requiring no tools and no software. Plug the STB48V2 into a power outlet, and then connect the **STB48V2 to your PoE-enable Giga Ethernet or PoE-enable Fast Ethernet device** using any standard Ethernet cable. Once set up the STB48V2 can output power to any compatible 5VDC, 12VDC, 24VDC, 48VDC, or 57 VDC (Max. 48W) PoE-enable device.

### High Lights:

- Provide both data and electrical power to PoE-enabled devices (IEEE 802.3af, IEEE 802.3at, Passive PoE (PoE-enable device))
- Supports Giga-Ethernet/Fast Ethernet PoE-enable device
- Supports wide range of input/output DC Power (5V – 57V at Max. 48W)
- Dual DC Power Input – 3-pin Screw Terminal Block and Power Jack
- Wall mountable
- DIN-Rail mountable (optional)

**Product Application Diagram for 802.3af/802.3at /Giga Ethernet PoE Device**



Hardware Specifications	
Power	PIN 1/2,3/6 & 4/5+ 7/8
Data	PIN 1/2 ,3/6
Data In	Connects to PC/HUB/Switch
Ethernet Data Rate	10/100/1000TX Mbps
Ethernet Cable	TIA/EIA 568 Cat.5
Ethernet Cable Connector	RJ45
Support Input Voltage	5V – 57V (Max . 48W)
Support Output Voltage	5V – 57V (Max.48W)
Built-In LED Indicators	Power
Environmental & Mechanical Characteristics	
Operating Temperature	-0 °C ~ 40 °C
Storage Temperature	-20 °C ~ 60 °C
Operating Humidity	10% to 80% Non-Condensing
Storage Humidity	5% to 90% Non-Condensing (non-condensing)
Power Supply	110 – 220V AC Power; 5V-57V DC input
Unit Dimensions	67 *67*x 24 (W*L*H) (mm)
Unit Weight	40g