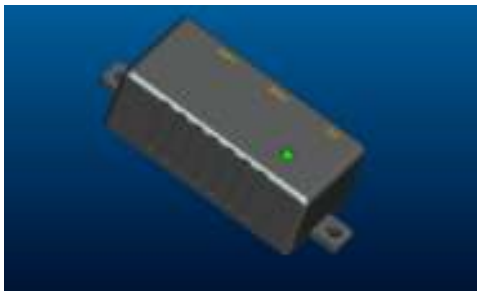


**Order Information: PE03G Wall –Mount Giga Ethernet PoE Injector w/LED indicator**

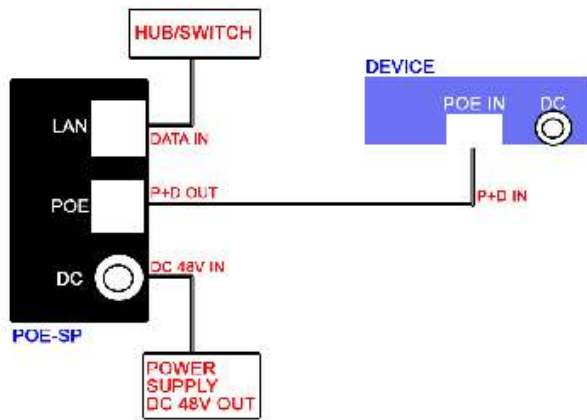


## Introduction

The Wall Mount PoE Injector is suitable for use with products that basically does support Power Over Ethernet. Simply connect the power source to the injector, and then use an Ethernet cable to connect the injector to the device. It is a cost effective solution for deploying Wireless Access Points in indoor or outdoor environments where the power source is not readily available or power cables are not permitted. In Ethernet, four pairs of C5 or C5E twisted pairs are used as the medium for transmission. The actual data transmission takes up (pairs 1-2 and 3-6 , 4-5 and 7-8). The PoE technology utilizes the remaining pairs (pairs 4-5 and 7-8) to conduct electricity. The output power will be dependant on the power rating of the power supply that one chooses to use. This helps to reduce number of wires that lead up to tower and other situations.

<b>Hardware Specifications</b>	
<b>Power</b>	PIN 4/5+ 7/8
<b>Data</b>	PIN 1/2,3/6 & 4/5+ 7/8
<b>Data In</b>	Connects to PC/HUB/Switch
<b>Ethernet Data Rate</b>	10/100/1000TX Mbps
<b>Ethernet Cable</b>	TIA/EIA 568 Cat.5
<b>Ethernet Cable Connector</b>	RJ45
<b>Support Input Voltage</b>	8V – 57V (Max . 48W)
<b>Support Output Voltage</b>	8V – 57V (Max.48W)
<b>Built-In LED Indicators</b>	Power
<b>Environmental &amp; Mechanical Characteristics</b>	
<b>Operating Temperature</b>	-0 °C ~ 50 °C
<b>Storage Temperature</b>	-20 °C ~ 60 °C
<b>Operating Humidity</b>	10% to 95% Non-Condensing
<b>Storage Humidity</b>	10% to 95% Non-Condensing (non-condensing)
<b>Power Supply</b>	110 – 220V AC Power; 8V-57V DC input
<b>Unit Dimensions</b>	76mm*27mm*20mm
<b>Unit Weight</b>	62g

1. Device with PoE Function



2. Device without PoE Function

