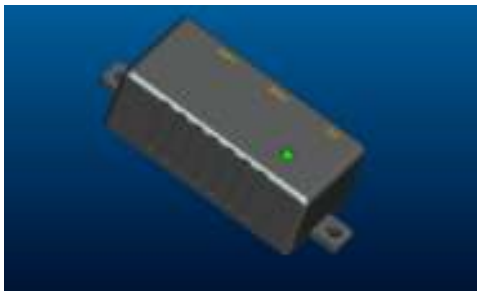


Order Information: PE03-v2 Wall –Mount PoE Injector w/LED indicator



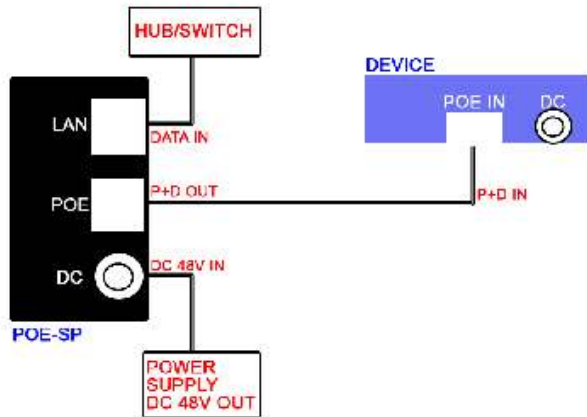
Introduction

The Wall Mount PoE Injector is suitable for use with products that basically does support Power Over Ethernet. Simply connect the power source to the injector, and then use an Ethernet cable to connect the injector to the device. It is a cost effective solution for deploying Wireless Access Points in indoor or outdoor environments where the power source is not readily available or power cables are not permitted. In Ethernet, four pairs of C5 or C5E twisted pairs are used as the medium for transmission. The actual data transmission only takes up two pairs of wires (pairs 1-2 and 3-6). The PoE technology utilizes the remaining pairs (pairs 4-5 and 7-8) to conduct electricity. The output power will be dependant on the power rating of the power supply that one chooses to use. This helps to reduce number of wires that lead up to tower and other situations.

【PE03-v2】 Electrical Specifications	
Interface	Simple POE Injector w/LED
Data	PIN 1/2 & 3/6
Power	PIN 4/5+ & 7/8
Data in	Connects PC/HUB/Switch
Weight	62g
Dimensions	76mm*27mm*20mm

Case of material	ABS 94V-0
Ethernet Data rate	10/100 Mbps
Ethernet Cable	TIA/EIA 568 Cat.5
Ethernet Cable Connector	RJ-45
Operating Temperature	0 - 40 Degree
Storage Temperature	0 - 50 Degree
Operating Humidity	10% to 80% RH
Storage Humidity	5% to 90% RH
LED Indicators	Power

1. Device with PoE Function



2. Device without PoE Function

