

**LanReady Technologies Inc.**3F., No.166, Sinhu 2nd Rd., Neihu District, Taipei City 114, Taiwan
Tel: 886-2-2796-8188 Fax: 886-2-2796-8158 <http://www.lanready.com>

Network on Demand Network on Demand Network on Demand Network on Demand Network on Demand

Model No.: IN2410P**2.4GHz 10 dBi Patch Directional Antenna**

IN2410P is a directional high gain antenna. It feature Selectivity and Directivity. For Wireless dense environment , the noise and interference overload the WLAN system, nobody can expect satisfactory wireless performance. The most effective solution is to specify the radio service spece, then focus the radio signal within the spece, and keep off the noise and inteference .

Features

- High gain : 10 dBi
- High performance
- Low backward radiation
- Low profile
- Smart, Slim and elegant style
- 270° Tilt-and-swivel design for best reception
- Versatle Mounting Design
- Light-weight

Electrical Specifications

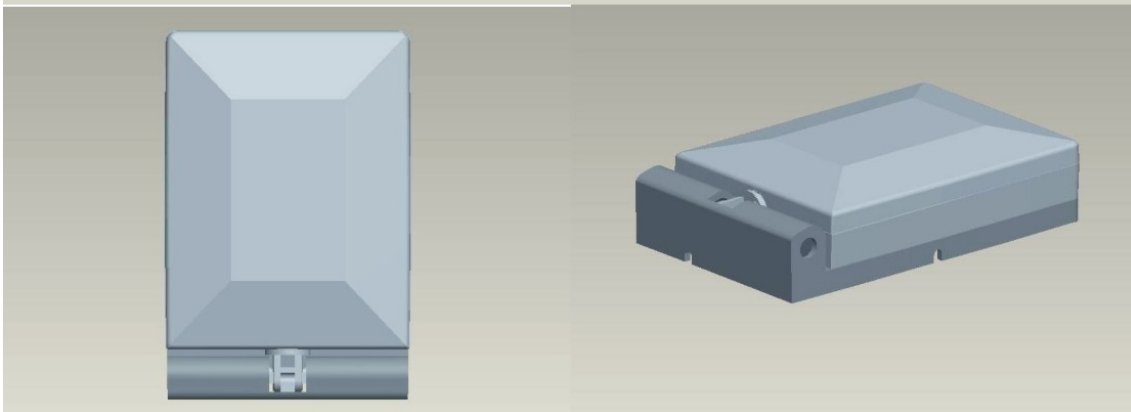
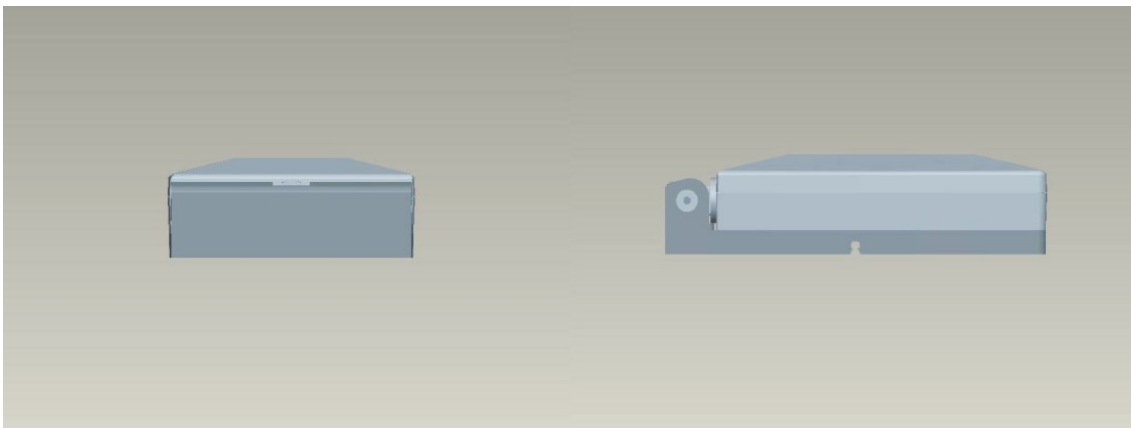
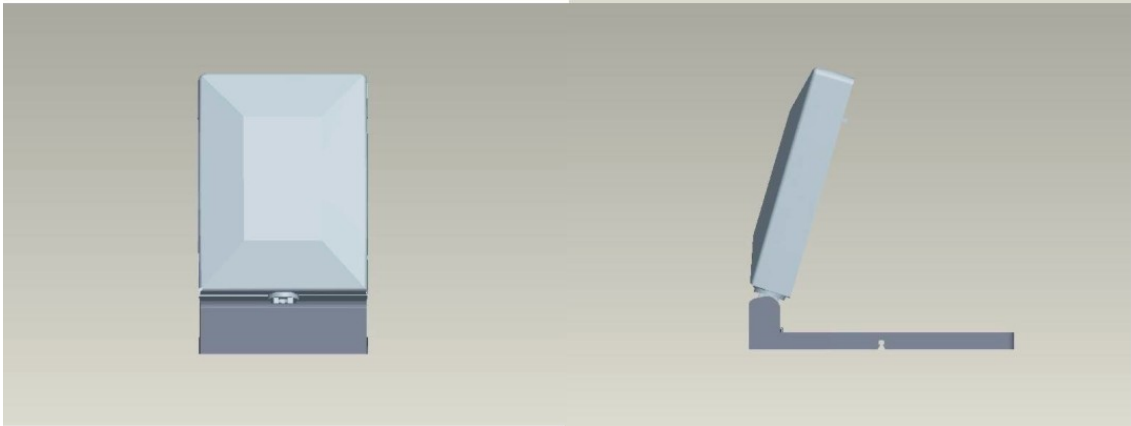
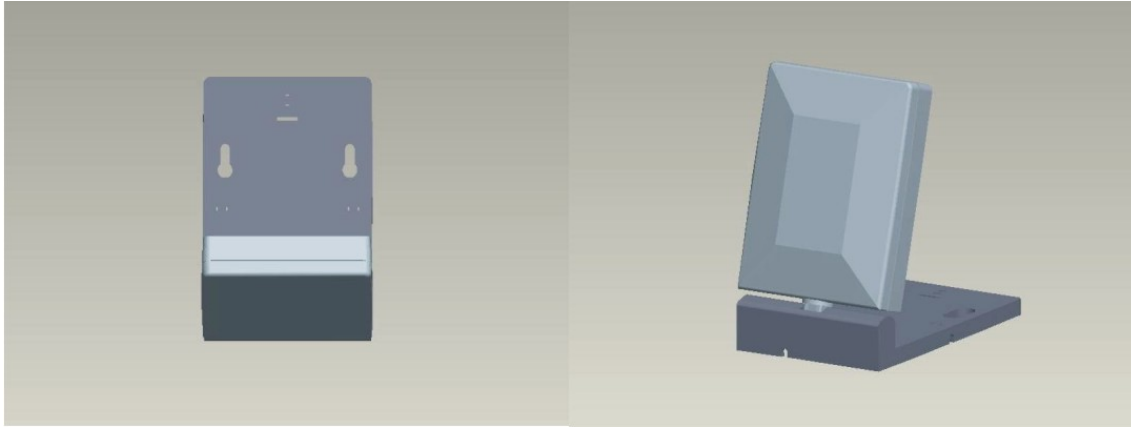
Antenna Type	2.4GHz 10dBi Indoor Patch Antenna
Frequency Range	2.4 ~ 2.5GHz
Network Specification	IEEE 802.11b , IEEE 802.11g , IEEE802.11n Network
Gain	10dBi
V.S.W.R	< 2
Beam Width-H Plane	110° (Vertical)
Beam Width-E Plane	60° (Horizontal)
Polarization	Vertical (Linear)
Input Impedance	50 Ohms
Connector	Reverse SMA Male Plug
Cable	RG178, Length: 100 CM
Mounting	270° Degree Adjustable Stand, Wall Mount or Table Mount
Operation Temperature	-20°C - + 70°C
Storage Temperature	-30°C - +85°C
Humidity	95% maximum (non-condensing)

Package Content

Hi-Gain Wireless Directional Antenna with Cable and Reverse SMA Connector	1 set
Wall Mounting Screw & Wire Organizing Bracket	1 set
Quick Installation Guide	1 pcs

System Requirements

One Wireless Device with an external Antenna connector
Connector Type : Reverse SMA Male Plug





LanReady Technologies Inc.

3F., No.166, Sinhu 2nd Rd., Neihu District, Taipei City 114, Taiwan

Tel: 886-2-2796-8188 Fax: 886-2-2796-8158 <http://www.lanready.com>

Network on Demand Network on Demand Network on Demand Network on Demand Network on Demand